



BAF Product Overview

Tucson, AZ

2-25-10



BAF CalComp System



- ✧ Proprietary CNG fuel system
- ✧ CARB / EPA OBD-II
- ✧ SULEV for light-duty vehicles
- ✧ Fully integrated to OEM powertrain control system
- ✧ Maintains OEM fault codes (DTCs)
- ✧ Diagnostics accessed through DLC using original scan tool
- ✧ Improved fuel gauge system



Vehicle Snapshot – CARB & EPA



Crown Vic/Town Car



E- 250/350 Van
Ford Approved – Full Engine Warranty



F-Series (150/250/350) Pickup



E-450 Shuttle
Ford Approved – Full Engine Warranty



Dedicated CNG

Ford F150 Pickup

✧ MY 2010

- Ford F150
- 5.4L 3-Valve V8
- *BAF CalComp System*
- 20 GGE Standard
- CARB/EPA Certified SULEV
- HOV eligible in many states



© autodatasonline.com



Dedicated CNG

Ford F250/350 Pickup

✧ MY 2011

- Ford F250/350
- 6.2L V8
- *BAF CalComp System*
- 20 GGE Standard
- CARB/EPA Certified SULEV
- HOV eligible in many states
- Available late May, 2010





Dedicated CNG

Ford E250/E350 Van

※ MY 2010

- Ford E250/E350 Van
- 5.4L 2-Valve V8
- Ford Gas-Capable engine
- Passed FMVSS 303 crash test
- Standard 12-15 Passenger or Cargo Van
- *BAF CalComp System*
- 20 GGE Fuel Capacity Standard
- CARB/EPA Certified SULEV
- HOV eligible in many states





Dedicated CNG

Crown Victoria, Town Car, Grand Marquis

※ MY 2010

- Ford Town Car, Crown Victoria, Grand Marquis
- 4.6L
- *BAF CalComp System*
- Fuel Capacity up to 12.4 GGE
- CARB/EPA Certified SULEV
- HOV eligible in many states





Dedicated CNG

Ford E450

✧ MY 2010

- Ford E450
- 6.8L V10 Engine
- Ford Gas-Capable engine
- *BAF CalComp System*
- Clean Fuel Fleet ULEV
EPA/ CARB Certified
- 29 GGE standard fuel capacity
- CARB/EPA Certified





Other Ford Vehicles – 2011 Model Year

✧ **F450/550 6.8L V10 Three Valve**

- Ford Gas Capable Engine
- Tank packages to be designed
- Certification May, 2010

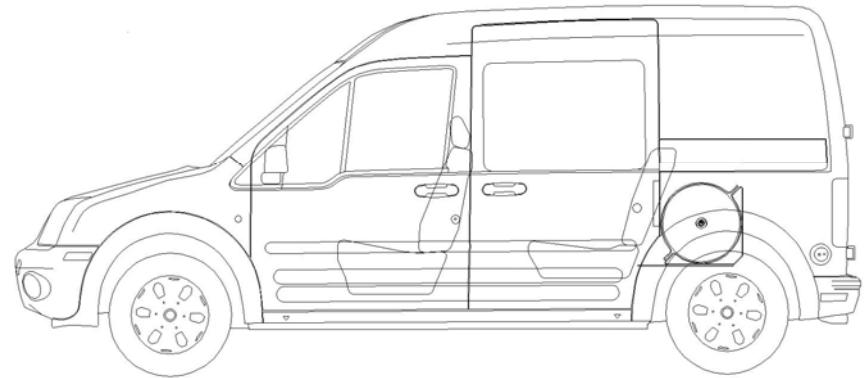




Other Ford Vehicles – 2011 Model Year

✧ Transit Connect 2.0L

- BAF procured and upfitted vehicle in December 2009
- Certification testing will be completed by end of February
- Ford Gas Capable Engine
- CARB/EPA approval anticipated late Q2/early Q3





BAF Vehicles

| BAF Approved | Vehicle | CARB | EPA | Price* | 2010 | Ford Gas Capable Engine |
|--------------|------------------|------|-----|----------|------|-------------------------|
| 2006-10 | Crown Victoria | ✓ | ✓ | \$15k | ✓ | |
| 2008-10 | F-150 | ✓ | ✓ | \$16-19k | ✓ | 2011 |
| 2008-09 | F-250/350 (6.2L) | ✓ | ✓ | \$16-19k | 2011 | |
| 2007-10 | E-250/350 | ✓ | ✓ | \$17-19k | ✓ | 2010 |
| 2007-10 | E-450 | ✓ | ✓ | \$22-24k | ✓ | 2010 |
| | F-450/550 | ✓ | ✓ | \$23-25k | 2011 | 2011 |
| | Transit Connect | ✓ | ✓ | <\$12K | 2011 | 2011 |

* Price depends on options, fuel capacity, quantity



Service, Warranty, Training

※ **Warranty**

- 3 years or 50,000 miles on major components
- 8 years or 80,000 miles on CNG Emission-Related Components
- OEM Warranty is NOT VOIDED after CNG upfit
- Ford Gas Capable Engines

※ **Vehicle Service**

- In-house warranty service program
- Dealership service provider
- Local retail service center

※ **Technical and Operator Training**

- On-site or BAF facility
- Classroom and hands-on



Turnkey Purchasing Process

Vehicle is ordered through local bus
dealer or retail dealership with
CNG Option

Dealership Arranges CNG Upfit with BAF



Contact Information

Eastern US

Bill Calvert
Vice President, Sales

-  214.231.1451 (office)
-  502.541.4855 (mobile)
-  bcalvert@BAFtechnologies.com

Western US

John Sledge
General Sales Manager

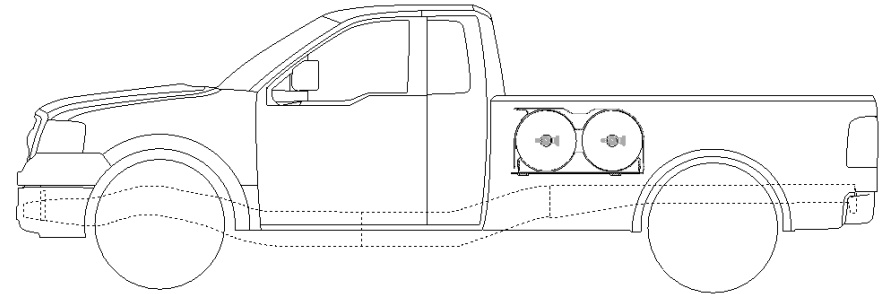
-  214.231.1469 (office)
-  714.376.8143 (mobile)
-  jsledge@BAFtechnologies.com



Product: F-150 (Certified MY2010)

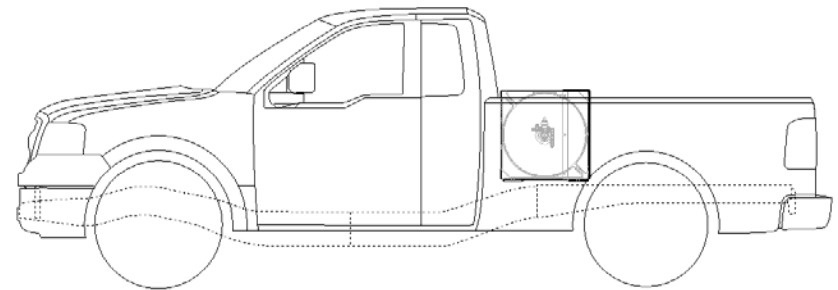
※ 8' Bed

- (1) – 21 x 60 = 20 GGE; or
- (2) – 14 x 60 = 20 GGE



※ 6.5' Bed

- (1) – 21 x 60 = 20 GGE

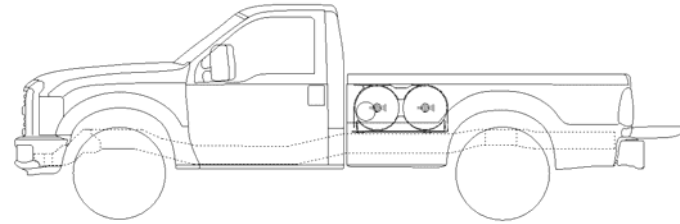




Product: F-250 (Will Certify In MY2011 – 2nd Qtr)

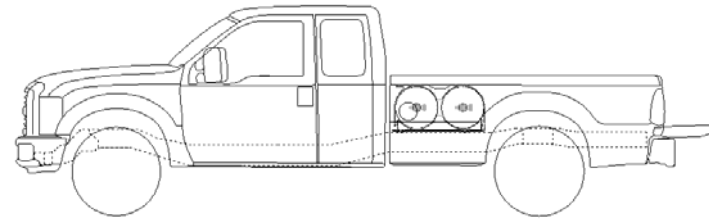
※ **Regular Cab** – 8' Bed

- (2) – 14 x 60 = 20 GGE



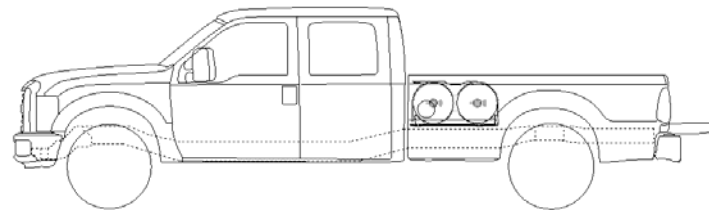
※ **Super Cab** – 8' Bed

- (2) – 14 x 60 = 20 GGE



※ **Crew Cab** – 8' Bed

- (2) – 14 x 60 = 20 GGE

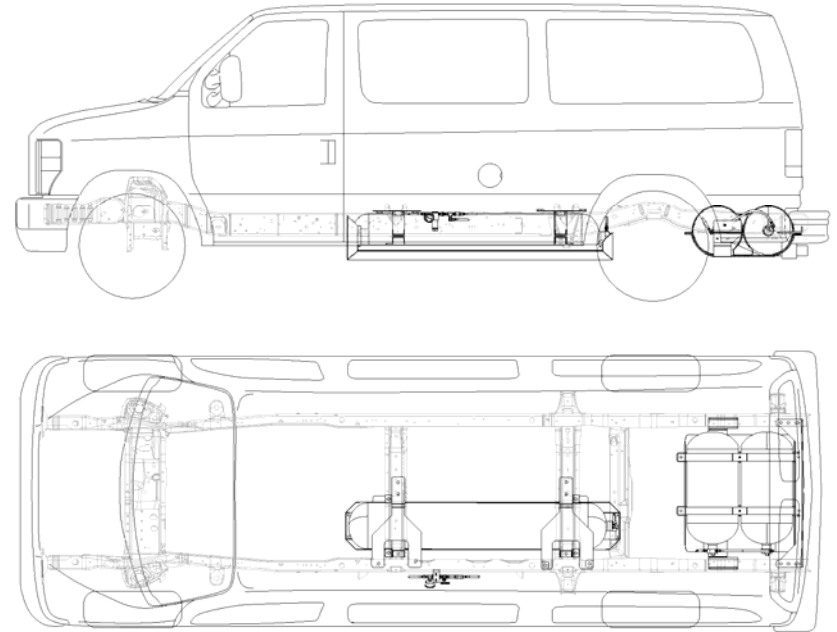




Product: E-250/350 (Certified MY2010)

- ✘ **Ford Gas Capable Engine**
- ✘ FMVSS 303 Crash-Tested

- ✘ 20 GGE
 - (2) – 14 x 32's (underbody)
 - (1) – 12 x 72

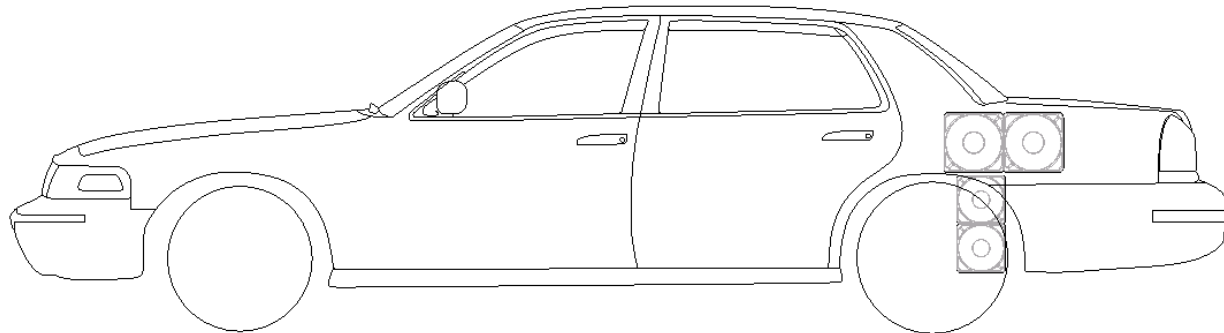




Product: Crown Victoria/Town Car/Grand Marquis (Certified MY2010)

※ 12.4 GGE

- (2) – 9 x 39 (2.7 GGE/EA)
- (2) – 10 x 37 (3.5 GGE/EA)





Product: HD 6.8L V10 (Certified in MY2010)

- ✘ ***Ford Gas Capable Engine***
- ✘ HD Certification Process

- ✘ 29 GGE
 - (2) – 16 x 47 (9 GGE each)
 - (1) – 12 x 72 (10 GGE)

